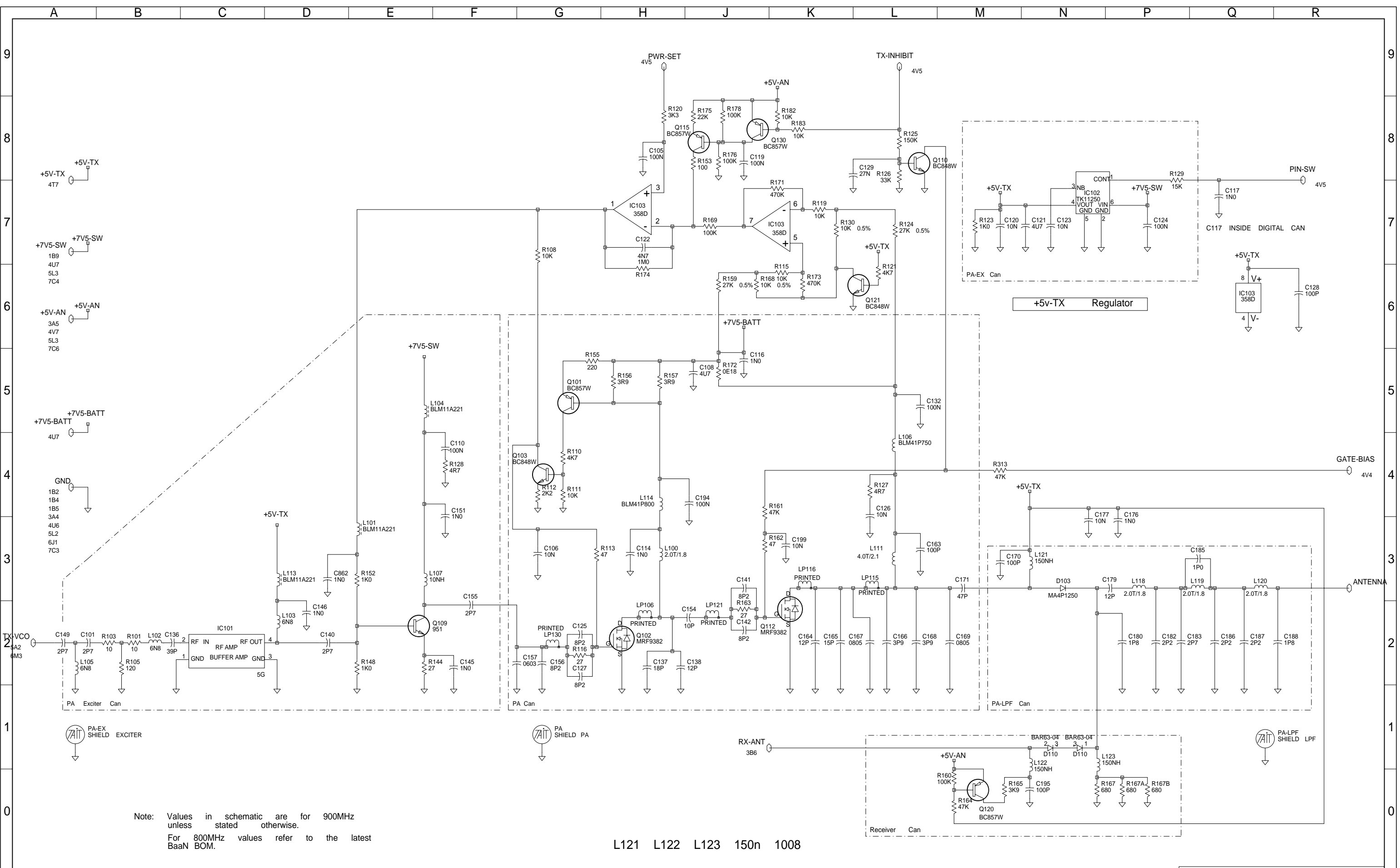


03B	VALUE CHANGES CCO. 1610-005	BRD	SP	CK	DW	02/11/99
03A	CCN NO.1610/003	BRD				13/10-99
02D	REGENERATE PLC & PLA FILES CCN No.1610-002	TS				05-10-99
02C	4 SP.PINS NOW SMD. SEALS NONSMD CCN No.1610-001	TS				17-09-99
02B	REFRESHED SAFC957/860 & 0E18U	BRD				02/07/99
REV/ISS	AMENDMENTS	DRAWN	CHKD	D.O.	APVD	DATE



© TAIT ELECTRONICS	
ORCA TOP:800/900MHZ SYSTEM DIAGRAM	
IPN: 220-01610-03	ISSUE: B
DESIGNER: ORCA	ID: 2.S.C. 1
PROJECT: BRD	FILE NAME: 161003b
FILE DATE: 17-Nov-99	NO.SHEETS: 7

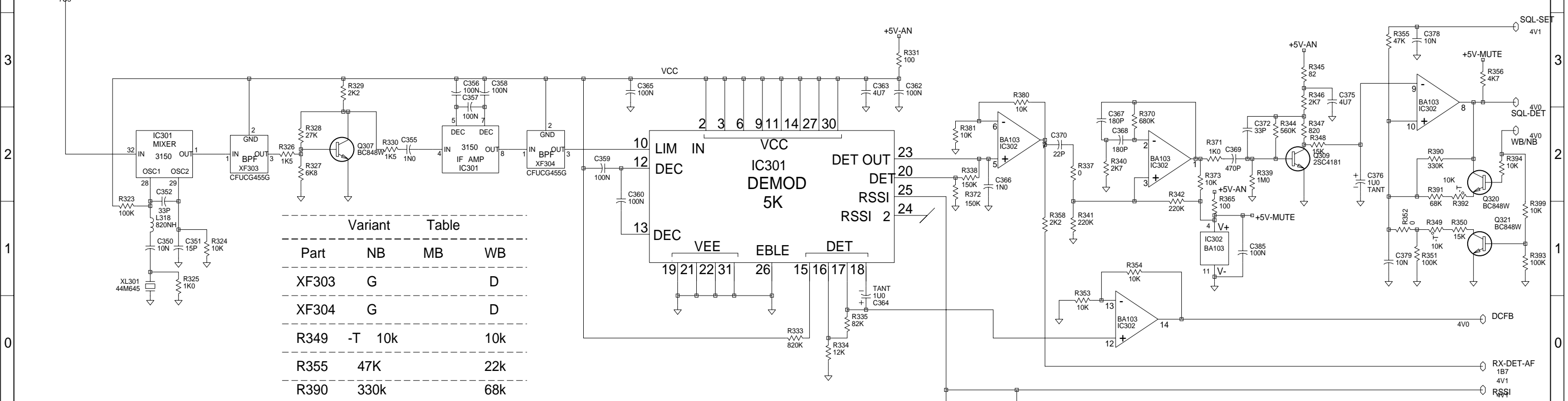
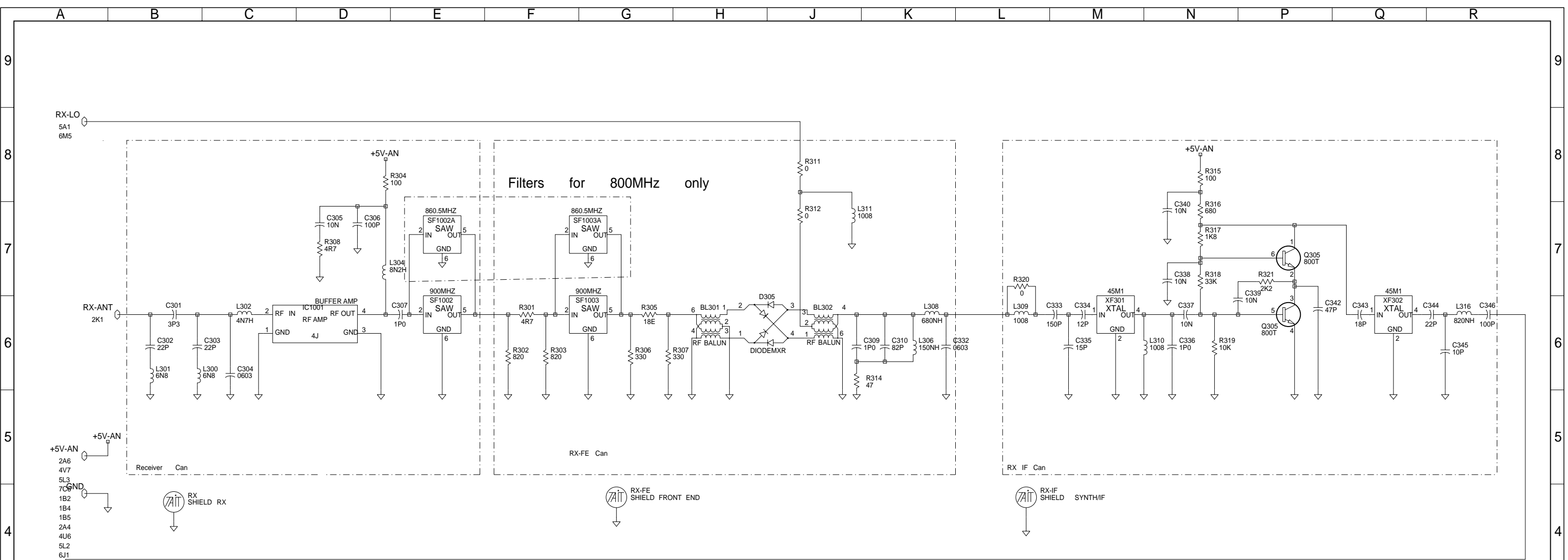


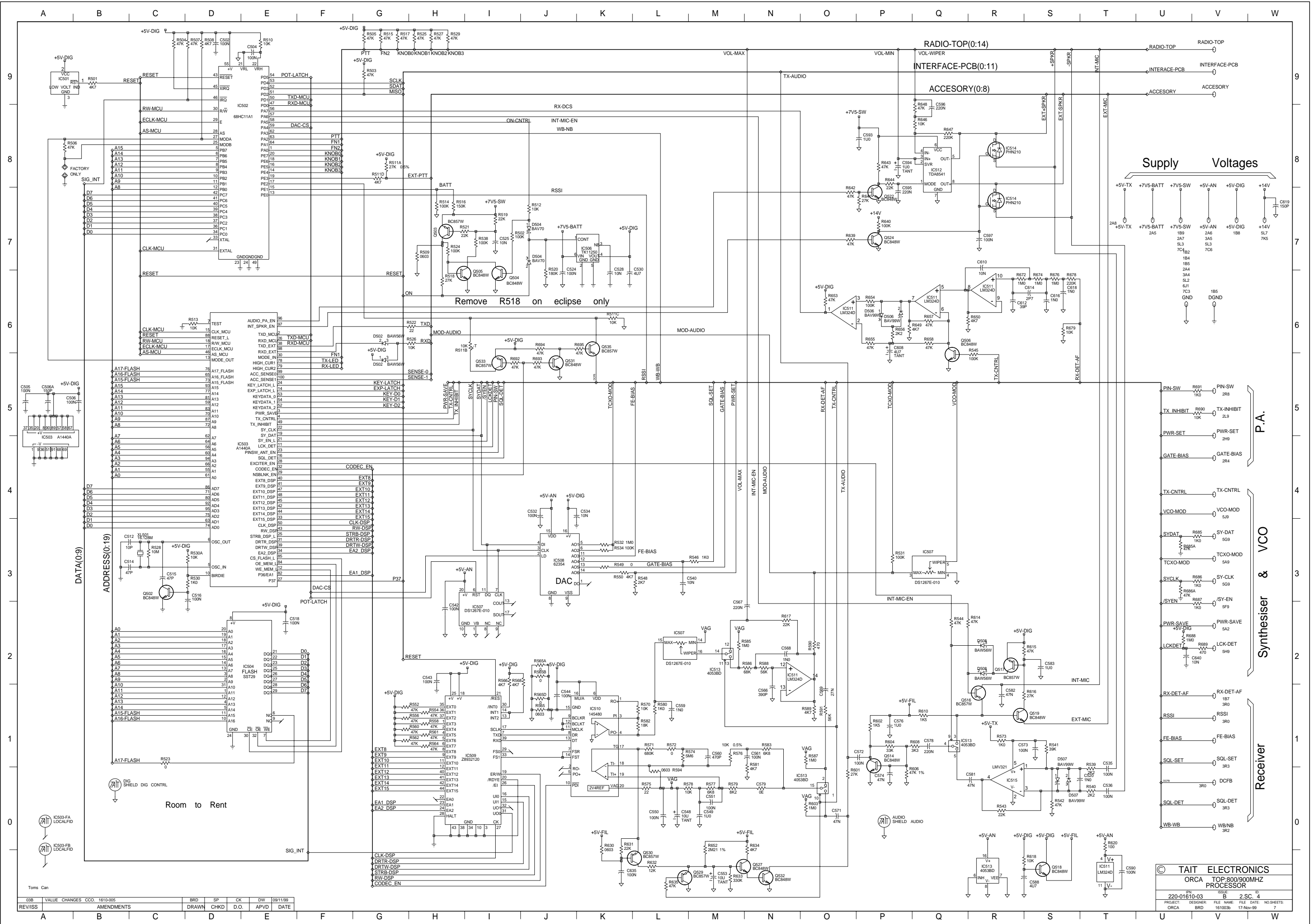
Note: Values in schematic are for 900MHz unless stated otherwise.
 For 800MHz values refer to the latest BaaN BOM.

L121 L122 L123 150n 1008

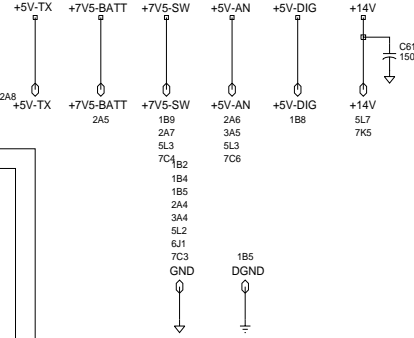
03B	VALUE CHANGES	CCO. 1610-005	BRD	SP	CK	DW	02/11/99
REV/ISS	AMENDMENTS		DRAWN	CHKD	D.O.	APVD	DATE

© TAIT ELECTRONICS
 ORCA TOP:800/900MHZ POWER AMPLIFIER
 IPN: 220-01610-03 ISSUE: B ID: 2.S.C. 2
 PROJECT: ORCA BRD DESIGNER: 161003b FILE NAME: 17-Nov-99 NO.SHEETS: 7





Supply Voltages



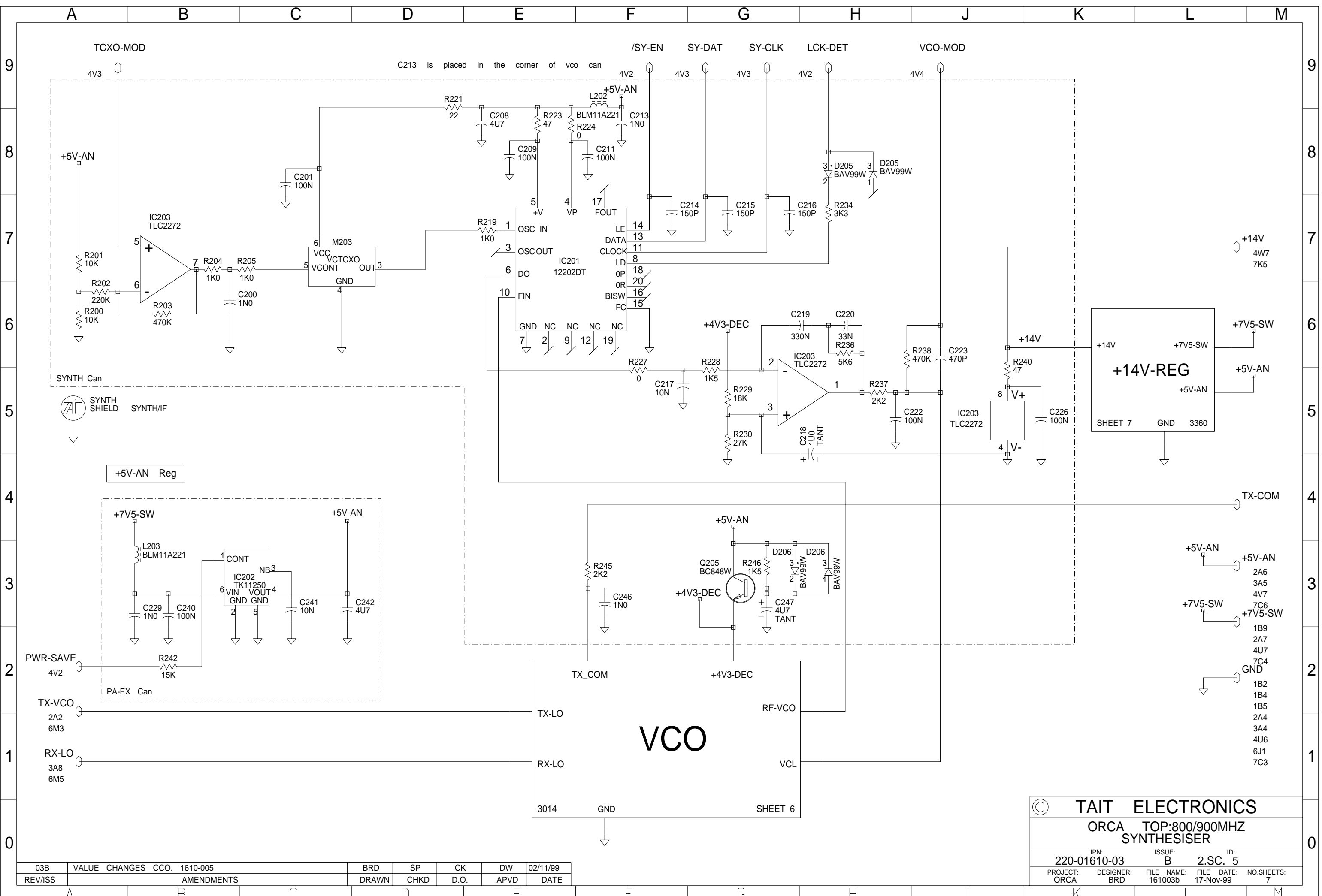
P.A.

Synthesiser & VCO

Receiver

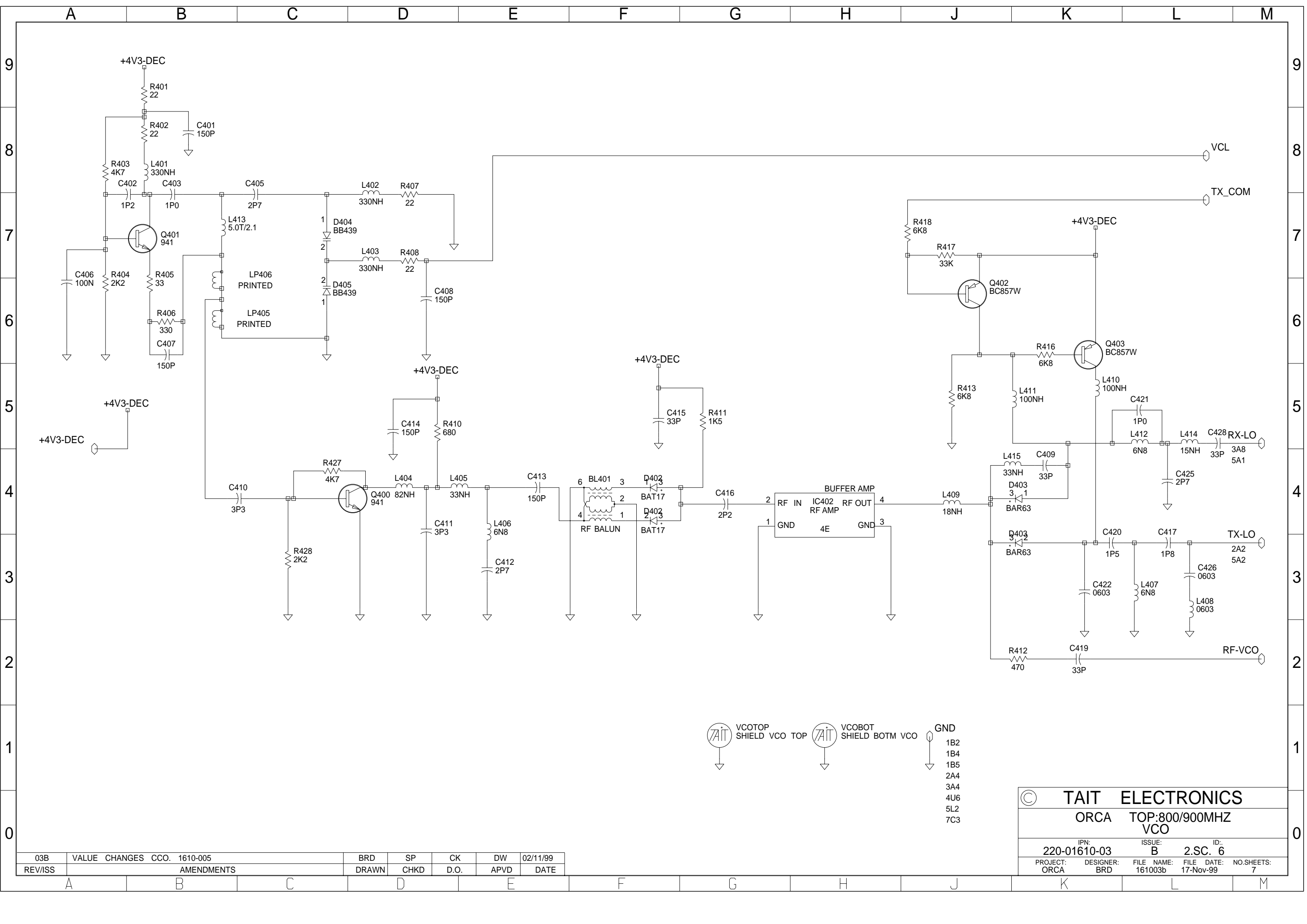
© TAIT ELECTRONICS
 ORCA TOP:800/900MHZ
 PROCESSOR
 220-01610-03 B 2-SC 4
 PROJECT DESIGNER FILE NAME FILE DATE NO SHEETS
 ORCA BRD 161003b 17-Nov-99 7

03B	VALUE CHANGES	CCO	1610-005	BRD	SP	CK	DW	09/11/99
REV/ISS	AMENDMENTS			DRAWN	CHKD	D.O.	APVD	DATE



03B	VALUE CHANGES CCO. 1610-005	BRD	SP	CK	DW	02/11/99
REV/ISS	AMENDMENTS	DRAWN	CHKD	D.O.	APVD	DATE

© TAIT ELECTRONICS
 ORCA TOP:800/900MHZ SYNTHESIZER
 IPN: 220-01610-03 ISSUE: B ID: 2.SC. 5
 PROJECT: ORCA DESIGNER: BRD FILE NAME: 161003b FILE DATE: 17-Nov-99 NO.SHEETS: 7

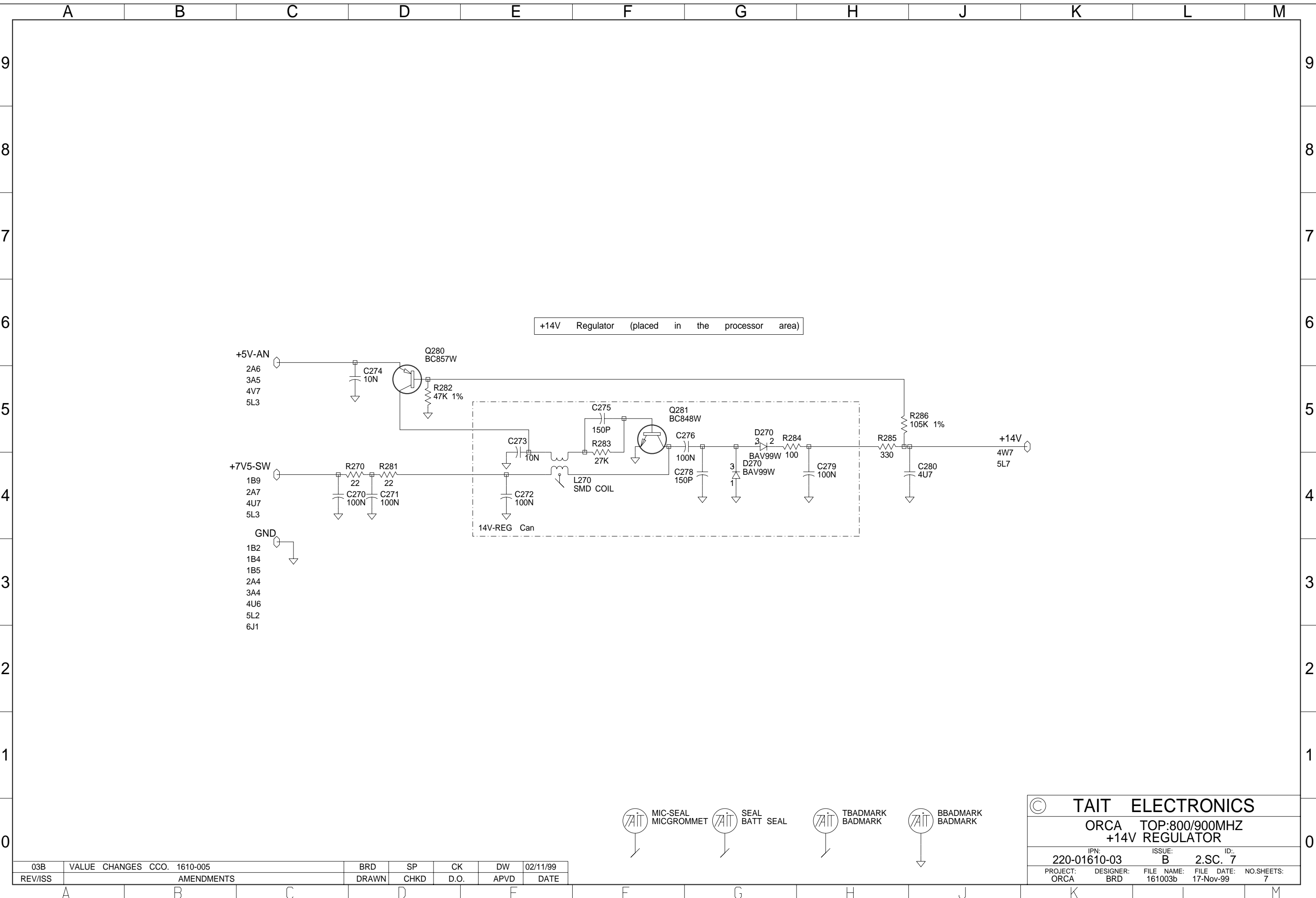


03B	VALUE CHANGES CCO. 1610-005	BRD	SP	CK	DW	02/11/99
REV/ISS	AMENDMENTS	DRAWN	CHKD	D.O.	APVD	DATE

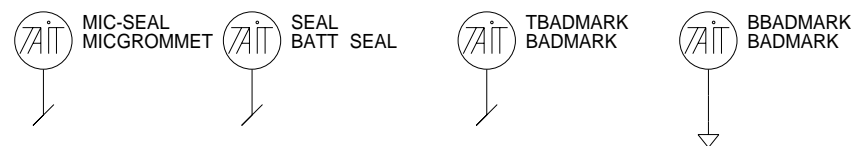
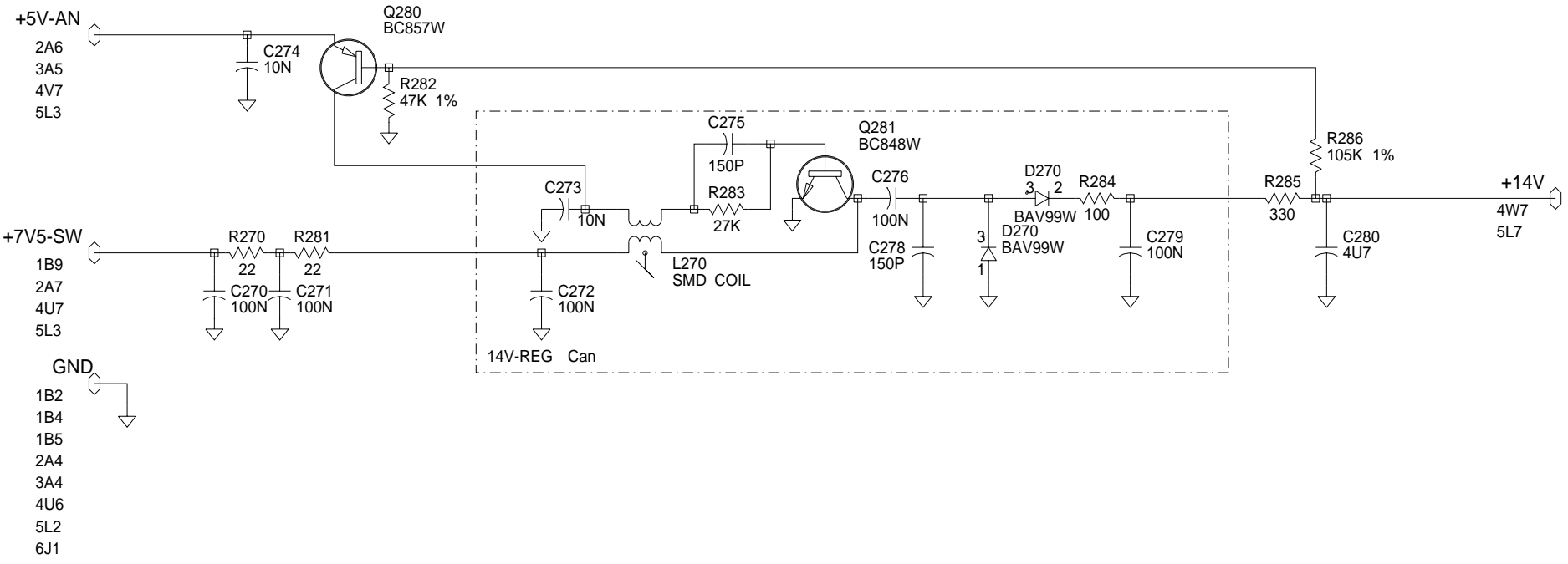
© TAIT ELECTRONICS
 ORCA TOP:800/900MHZ VCO
 IPN: 220-01610-03 ISSUE: B ID: 2.SC. 6
 PROJECT: ORCA DESIGNER: BRD FILE NAME: 161003b FILE DATE: 17-Nov-99 NO.SHEETS: 7

VCOTOP SHIELD VCO TOP
 VCOBOT SHIELD BOTM VCO
 GND

- 1B2
- 1B4
- 1B5
- 2A4
- 3A4
- 4U6
- 5L2
- 7C3



+14V Regulator (placed in the processor area)



© TAIT ELECTRONICS				
ORCA TOP:800/900MHZ +14V REGULATOR				
IPN:	220-01610-03	ISSUE:	B	ID: 2.SC. 7
PROJECT:	ORCA	DESIGNER:	BRD	FILE NAME: 161003b FILE DATE: 17-Nov-99 NO.SHEETS: 7

03B	VALUE CHANGES CCO. 1610-005	BRD	SP	CK	DW	02/11/99
REV/ISS	AMENDMENTS	DRAWN	CHKD	D.O.	APVD	DATE